

REMOVE (E) TILE AS REQ'D TO INSTALL BACKING FOR NEW FIXTURE - PATCH & REPLACE TILE AS REQ'D - MATCH (E) TILE AS CLOSE AS POSSIBLE - EPOXY PATCH HOLES FROM (E) REMOVED LAV.

ADDENDUM

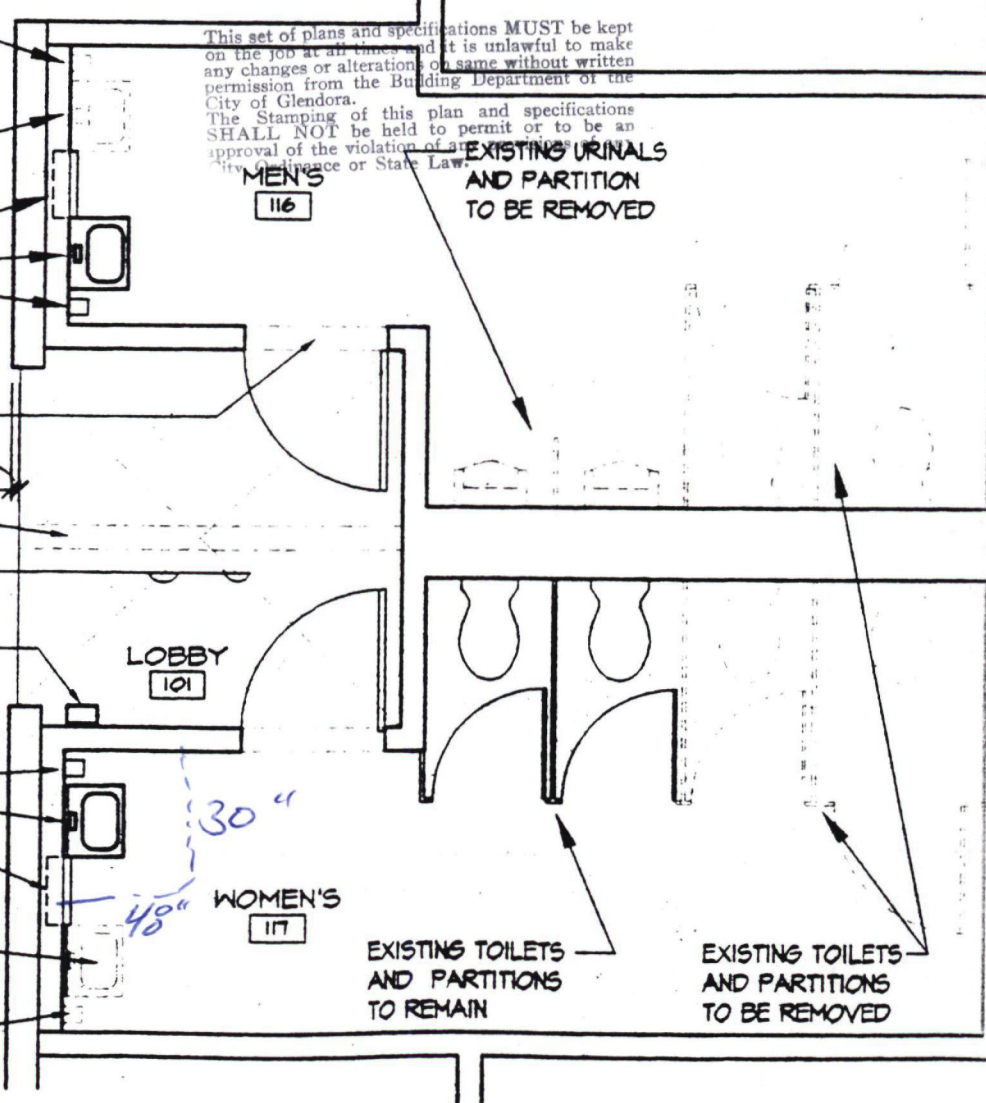
NEW WOMEN'S TOILET ELEVATIONS

CITY OF GLENDORA
 Building Department
APPROVED
 Under the Code of the City of Glendora
 By: *[Signature]*

SEP 7 1999

- EXISTING SOAP DISPENSER TO BE REMOVED
- EXISTING LAVATORY TO BE REMOVED
- EXISTING LAVATORY, TOWEL DISPENSER, AND SOAP DISPENSER TO REMAIN
- REMOVE (E) MARBLE THRESHOLD TYP @ BOTH DOORS
- EXISTING WALL TO BE REMOVED
- REMOVE EXISTING FLOOR TILE - SAWCUT @ TILE JOINT
- F.E. - TEMPORARY RELOCATE IN LOBBY AREA AS DIRECTED BY FIRE MARSHALL & INSTALL BACK
- NEW H.C. LAVATORY
- NEW LAVATORY TO BE INSTALLED
- EXISTING SOAP DISPENSER TO BE REMOVED

This set of plans and specifications MUST be kept on the job at all times and it is unlawful to make any changes or alterations of same without written permission from the Building Department of the City of Glendora. The Stamping of this plan and specifications SHALL NOT be held to permit or to be an approval of the violation of any City, State, or Federal Law.



GLENDORA LIBRARY
 140 S. GLENDORA
 GLENDORA, CA 91741



2100 SOUTH CLEARWATER DRIVE
DES PLAINES, ILLINOIS 60018-5999
847-803-5000

FITTING NO.

333-665

SUBMITTED MODEL NO.

Last As Long As the Building

JOB NAME

ITEM NO.

SUBMITTED AS SHOWN

SUBMITTED AS NOTED

SEE ATTACHED FOR
SUBMITTED MODIFICATION



ADA COMPLIANT

APPENDIX M
CITY OF GLENDORA
Building Department

APPROVED

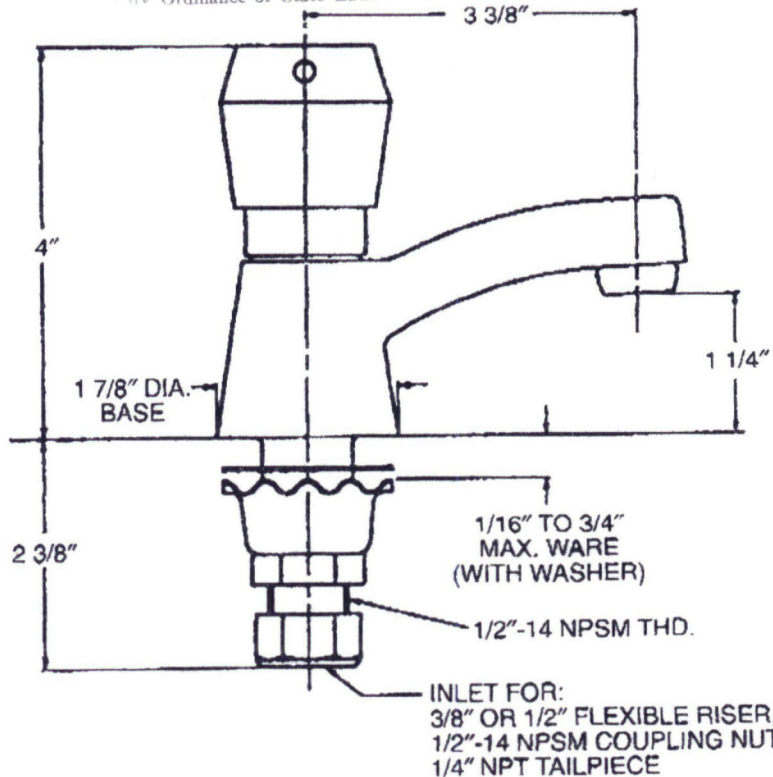
Under the Code of the City of Glendora

By: *[Signature]*

SEP 7 1999



This set of plans and specifications MUST be kept on the job at all times and it is unlawful to make any changes or alterations on same without written permission from the Building Department of the City of Glendora.
The Stamping of this plan and specifications SHALL NOT be held to permit or to be an approval of the violation of any provisions of any City Ordinance or State Law.



TECHNICAL DATA

SPECIFICATION MANUAL

METERING SINGLE FAUCET
E12 AERATOR
665 COLOR CODED PUSH HANDLE
CHROME PLATED FINISH

Roughing in dimensions may vary and are subject to change. No responsibility is assumed for use of superseded or voided data. (0195)